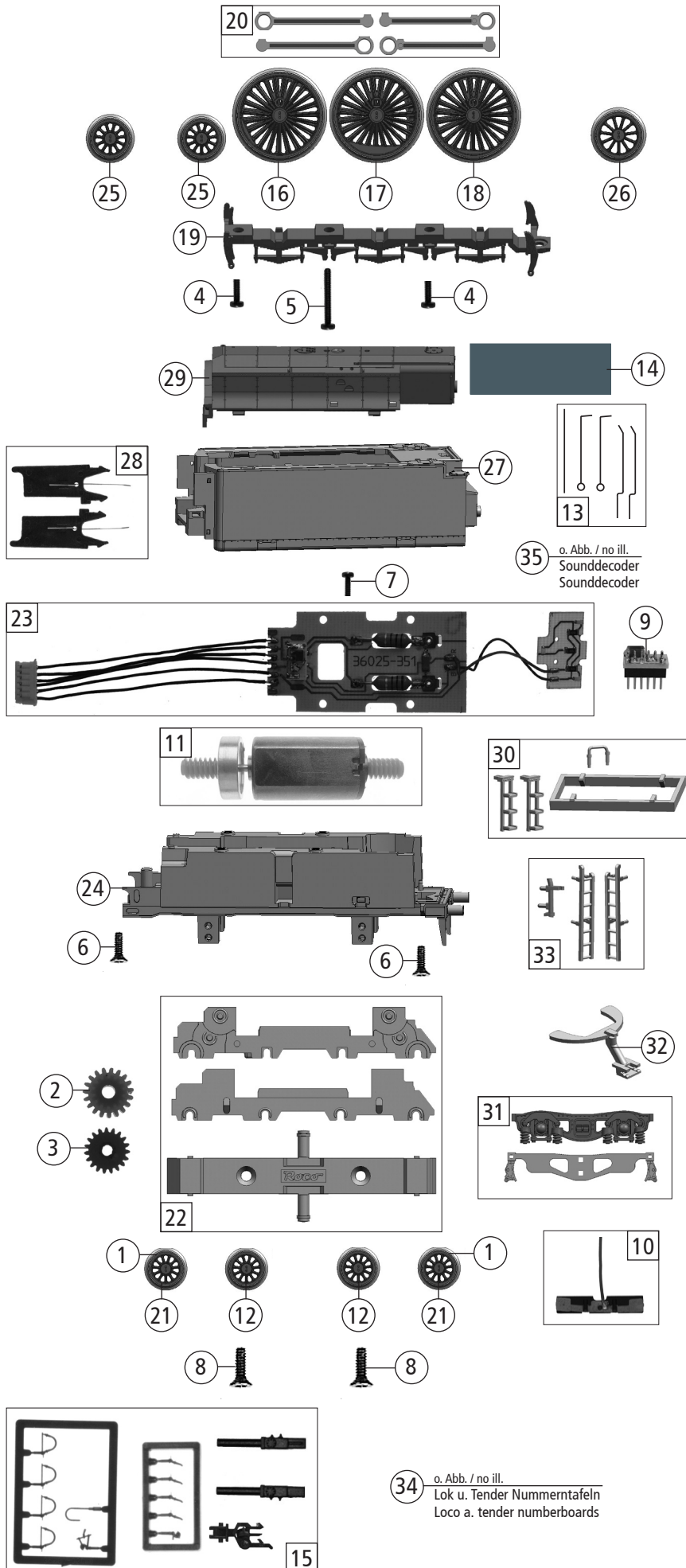


| Pos. Nr. Pos.no. | Beschreibung Description | Art.-Nr. Art.no. | Preisgruppe Price bracket |
|---------------------|--|---------------------|------------------------------|
| 1 | Ansatzschraube M2x1,2 mm Screw M2x1,2 | 85778 | 3 |
| 2 | Zugfeder - RD 2,5x4,3x0,15 mm Spring | 86249 | 3 |
| 3 | GF-Schraube M1,6x6 mm schwarz GF-Screw M1,6x6 | 114836 | 3 |
| 4 | GF-Schraube M1,6x4 mm GF-Screw M1,6x4 | 114850 | 3 |
| 5 | GF-Schraube M2x5 mm GF-Screw M2x5 | 114966 | 3 |
| 6 | Puffer Metall gewölbt bedruckt Buffer vaulted printed | 115838 | 5 |
| 7 | Puffer Metall flach bedruckt Buffer flat printed | 115839 | 5 |
| 8 | TS - Federn Dampflok - TT 3Stk. Part set spring 3pieces | 126616 | 9 |
| 9 | Kessel lackiert u. bedruckt betr.nr. 02 0201-0 Boiler coated a. printed loco no 02 0201-0 | 134017 | 34 |
| 10 | Lok-Radkontaktbaugruppe m. LED Printed circuit ass. w. LED | 129556 | 20 |
| 11 | Steuerung kpl. Steering ass. | 129557 | 24 |
| 12 | TS - Lichtleiter, Fenster gepr. Part set window | 129558 | 8 |
| 13 | TS - Lokunterteil Part set lower part | 129559 | 11 |
| 14 | TS - Aschenk., Domdeckel, Part set dome cover, | 129561 | 7 |
| 15 | TS - Lokboden Part set loco bottom | 129562 | 7 |
| 16 | TS - Umlauf Part set running board | 129563 | 7 |
| 17 | Grundrahmen Main frame | 129565 | 13 |
| 18 | TS - Handl./Griffst. lack. Part set handrail | 134027 | 13 |
| 19 | TS - Kessel + Tender bedruckt Part set boiler a.tender | 129571 | 12 |
| 20 | TS - Ventile Part set valve | 134021 | 7 |
| 21 | TS - Kessel a. Tender Part set boiler a. tender | 129573 | 7 |
| 22 | TS - Kessell.+Schieberst. Part set boiler lines | 134022 | 16 |
| 23 | Windleitblech li.+re. lack. Smoke deflector left a. right | 134025 | 17 |
| 24 | TS - Lok- + Tendergewichte Part set loco a. tender weight | 129576 | 10 |
| 25 | Lokpfeife Loco whistle | 129577 | 6 |
| 26 | TS - Vorlaufgestell Part set pilot frame | 129579 | 10 |
| 27 | TS-Nachlaufgestell Part set caster frame | 129581 | 8 |
| 28 | Umlaufblech lackiert Running board coated | 134028 | 20 |
| 29 | TS - Radblenden li./re. bedr. Part set wheel trims left a. right | 134023 | 7 |
| 30 | Radblendenfeder Spring | 129584 | 6 |
| 31 | Zylinderblock lack. Cylinder block | 129585 | 10 |
| 32 | Führerhaus Drivers cabin | 134018 | 17 |
| 33 | Domdeckel Dome cover | 134024 | 4 |
| 34 | Gegendruckbremse Against applied brake | 134019 | 3 |
| Sound | | | |
| 35 | Lautsprecher Loudspeaker | 129524 | 16 |

Änderungen in Konstruktion und Ausführung vorbehalten
We reserve the right to change the construction and specification



| Pos. Nr. Pos.no. | Beschreibung Description | Art.-Nr. Art.no. | Preisgruppe Price bracket |
|---------------------|--|---------------------|------------------------------|
| 36029 | DR BR 18 201 | | |
| 36030 | | | |
| 1 | Hafring N-Spur 7,8 mm 10 Stk. Set w. traction tieres 10pieces | 85617 | 10 |
| 2 | Schnecken Zahnrad Z=19/14 M=0,3 Worm gear Z= 19/14 M=0,3 | 86400 | 4 |
| 3 | Zahnrad Z=19 Gear Z=19 | 86499 | 3 |
| 4 | GF-Schraube M2x6 mm GF-Screw M2x6 | 114828 | 3 |
| 5 | GF-Schraube M2x16 GF-Screw M2x16 | 115094 | 3 |
| 6 | SK-Schraube M1,6x4 mm SK-Screw M1,6x4 | 115161 | 3 |
| 7 | GF-Schraube M1,6x5 mm - schw. GF-Screw M1,6x5 | 115269 | 3 |
| 8 | SK-Schraube M2x8 mm SK-Screw M2x8 | 120189 | 3 |
| 9 | Brückenbaugruppe Connector | 126404 | 9 |
| 10 | Tenderkontakth. kpl. m. Litzen Tender contact holder ass. | 126621 | 8 |
| 11 | Motor Motor | 126622 | 28 |
| 12 | Tenderradsatz Tender wheelset | 126623 | 10 |
| 13 | TS - Tendergriffstang./Federn Part set spring handrail | 126631 | 10 |
| 14 | Schaumstoff für Schalldämmung Part | 126838 | 4 |
| 15 | Zurüstbeutel Bag w. accessories | 129552 | 9 |
| 16 | Treibrads.1 o.Haftr. o.Zahn. Wheelset 1 | 129553 | 12 |
| 17 | Treibrads.2 o. Haftr. o.Zahn. Wheelset 2 | 129554 | 12 |
| 18 | Treibrads.3 o.Haftr. o.Zahn. Wheelset 3 | 129555 | 12 |
| 19 | Lokboden Locobottom | 129560 | 6 |
| 20 | TS - Kuppelstangen Part set | 129564 | 12 |
| 21 | Radsatz m. 2Hafringen/Zahnrad Wheeset w. traction tieres w. gear | 129566 | 12 |
| 22 | Getriebebesatz 3tlg. Part set gear 3-parts | 129567 | 13 |
| 23 | Tenderplatine kpl. m. Lichtpl. Tend. printed circuit w. printed circuit for light | 129568 | 23 |
| 24 | Tendergrundrahmen Tender main frame | 129569 | 14 |
| 25 | Vorlauf radsatz Pilot wheelset | 129578 | 11 |
| 26 | Nachlauf radsatz Wheelset | 129580 | 11 |
| 27 | Tendergehäuse Tender body | 134016 | 22 |
| 28 | Tendertüren li.+re kpl. Tender doors left a. right ass. | 134020 | 14 |
| 29 | Öltenderoberteil Oil tender body | 134014 | 15 |
| 30 | TS - Tender Part set tender | 129589 | 8 |
| 31 | DG-Blende+Bremsbacken Part set | 129591 | 8 |
| 32 | Tenderkupplungsdeichsel tender coupler drawbar | 129594 | 6 |
| 33 | TS-Heckleitern u. Ölleitung Part set | 134015 | 7 |
| 34 | Lok u. Tender Nummerntafeln Loco a. tender numberboards | 134026 | 10 |
| Sound | | | |
| 35 | Sounddecoder Sounddecoder | 129699 | 39 |

Ersatzteile erhalten Sie bei Ihrem Fachhändler, oder Ihrer Landesvertretung:
You can order your Replacement Parts at your local dealer, your country representative: